

PRODUCT NUMBER

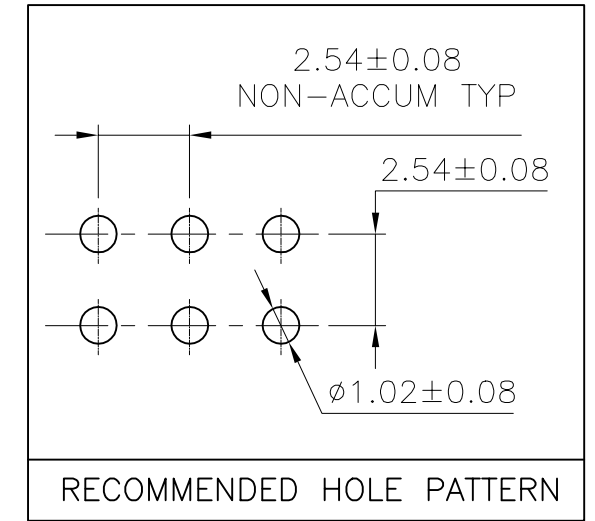
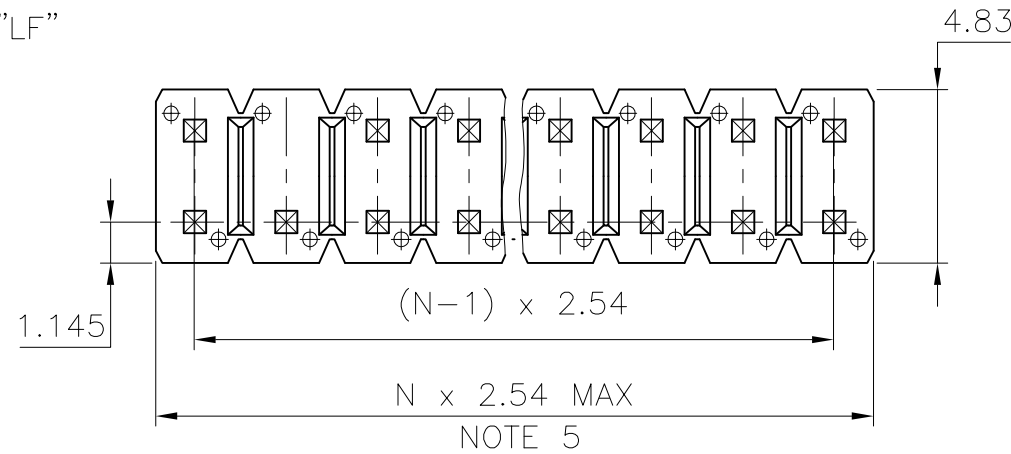
77314-YXXXLF

WHEN REQUIRED, ADD SUFFIX LETTER "LF"
INDICATES THE PRODUCT IS RoHS
COMPATIBLE, SEE NOTE 8

OPTION LETTER
SEE NOTE 7 & SHEET 9

PIN STYLE SEE SHEET 2 TO 8

PLATING SEE SHEET 2



NOTES:

1. HOUSING MAT'L : HIGH TEMPERATURE THERMOPLASTIC. UL94V-0 COLOR: BLACK
2. PIN MATERIAL : PHOSPHOR BRONZE
3. PRODUCT PACKAGED IN POLY BAGS.
4. 9N MIN RETENTION IN EITHER DIRECTION
5. TO DETERMINE DIMENSIONS :
N = NUMBER OF POSITIONS PER ROW
EXAMPLE : 8 POS N x 2.54 = 20.32mm
6. UNDERPLATING : 1.27µm Ni MIN
7. RETENTION OPTION "R", OMIT FROM PRODUCT NUMBER IF FEATURE IS NOT APPLICABLE
8. RoHS COMPATIBLE PRODUCT SPECIFICATIONS

a - PLATING:

- "LF" MEANS THE PRODUCT IS LEAD-FREE,
2µm MINIMUM MATTE TIN OVER 1.27µm
MINIMUM NICKEL UNDERPLATE.

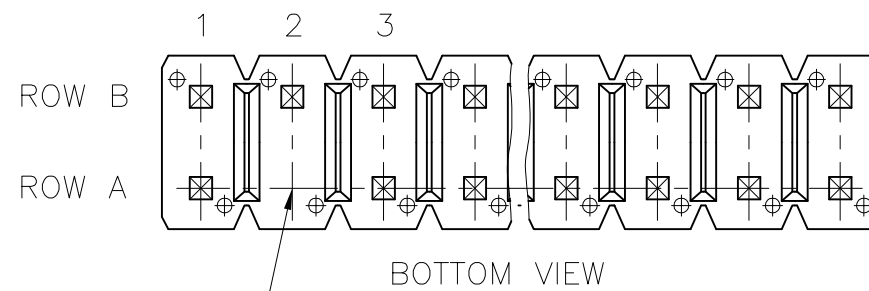
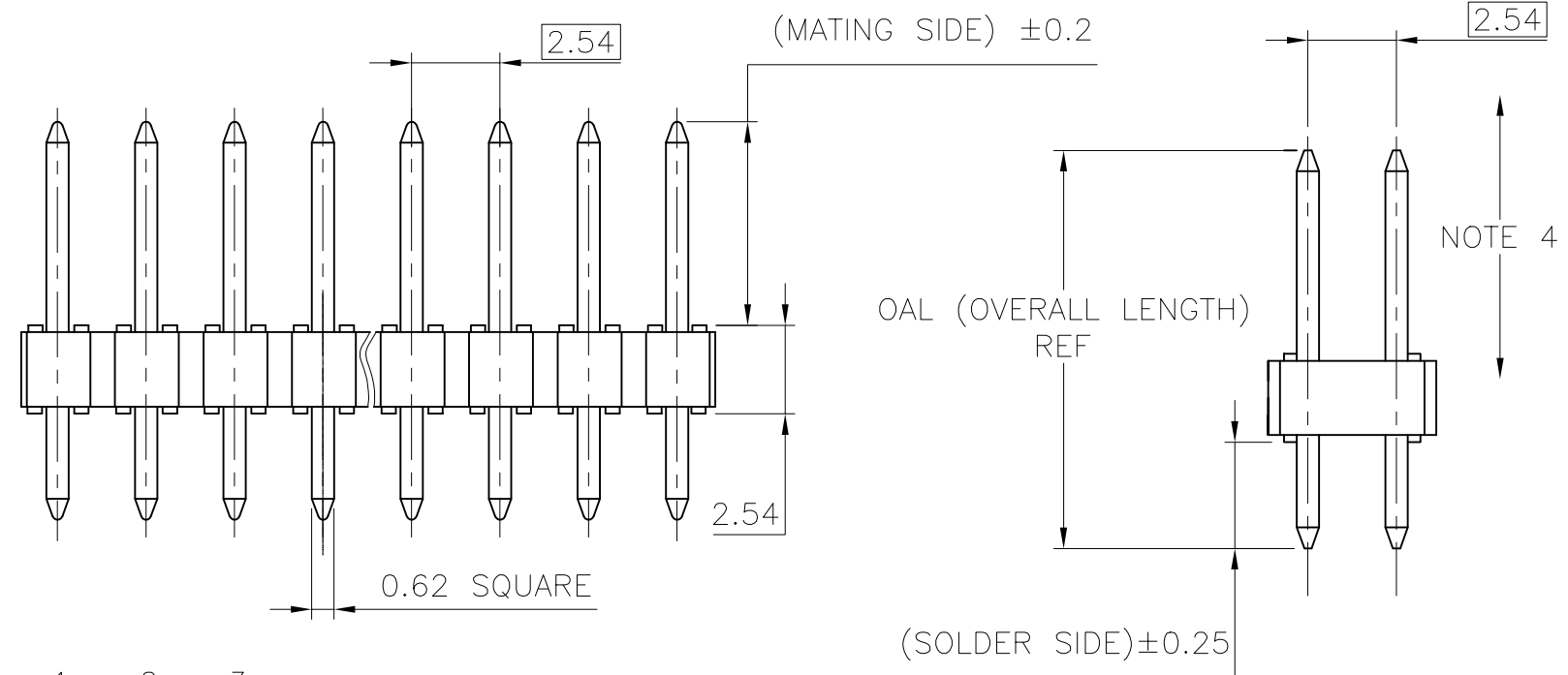
b - MANUFACTURING PROCESS COMPATIBILITY

- THE HOUSING WILL WITHSTAND EXPOSURE TO
260°C ±5°C SOLDER BATH TEMPERATURE FOR
5 SECONDS IN A WAVE SOLDER APPLICATION
WITH A 1.6mm MIN THICK CIRCUIT BOARD.

c - LABELING:

- MEETS PACKAGING SPECS AS PER GS-14-920

d - LEGAL STATEMENT: SEE GS-22-008

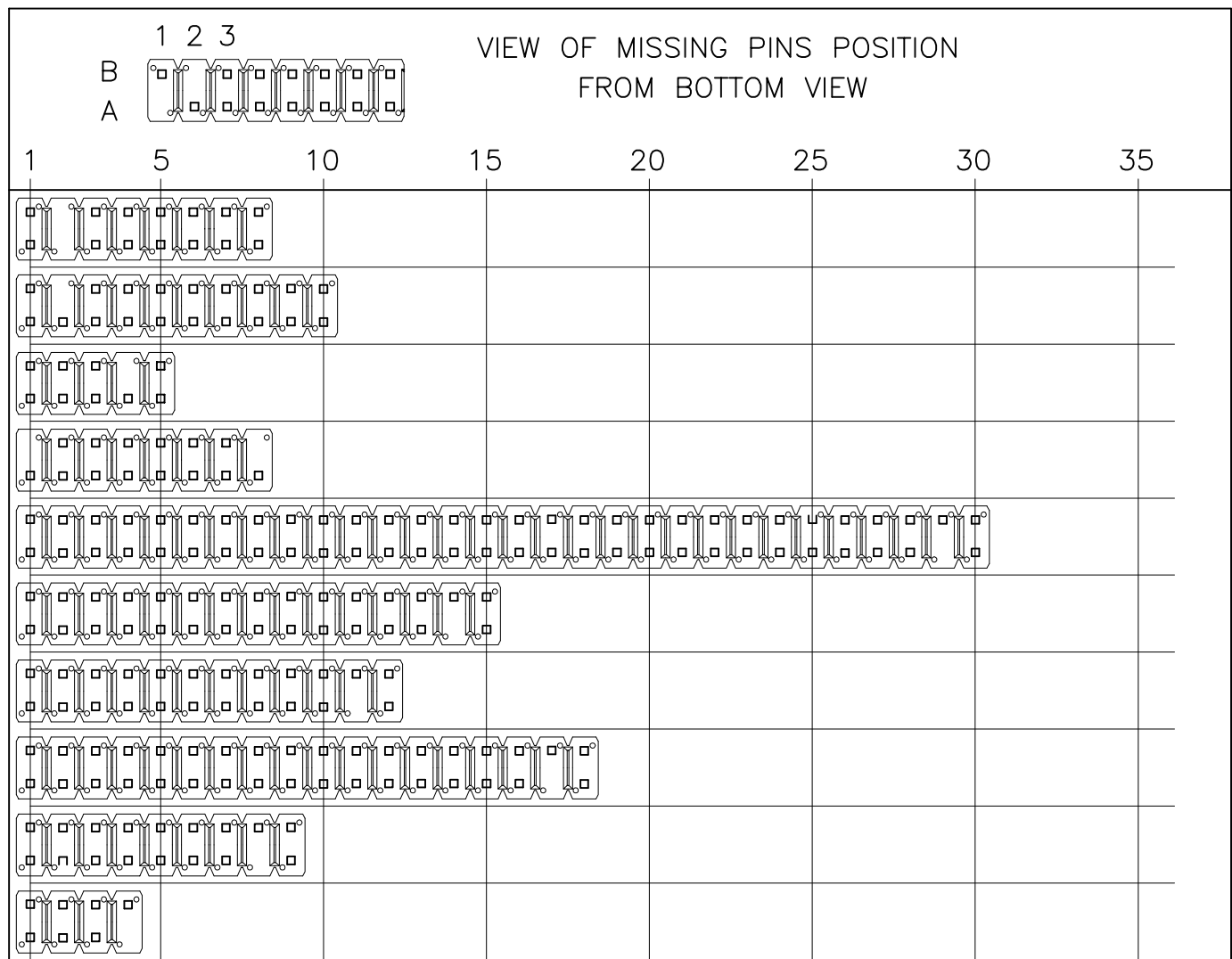


mat'l. code SEE P/N				surface ISO 1302 ✓		tolerance ISO 406 ISO 1101		projection mm		product family BSTIK	
ltr	ecn no	dr	date	tolerances unless otherwise specified						title	
BH	F04-0362	JCO	04.12.10	angles	.x ±0.3					HEADER STR,DR	
BJ	F06-0117	LMU	06.01.30	linear	.xx ±0.15					POL DUPLEX 2.54mm.	
BK	F06-0196	LMU	06.06.20		.xxx ±0.05	scale 5:1				dwg no	
BL	F08-0148	RTR	08.03.31	dr	G LEOTY	91.11.13				sheet 1 of 9	
				enr	J COMPAGNON	95.12.05				size	
BF	F04-0137	LMU	04.02.12	chr	J COMPAGNON					77314 A3	
BG	F04-0167	JCO	04.04.05	appd	JMC	95.12.05				type	
sheet	revision	BL	AJ	AF	AF	AH	AJ	V	D	CUSTOMER Drawing	
index	sheet	1	2	3	4	5	6	7	8	9	



Copyright FCI

PIN STYLE	PRODUCT DEFINITION			
	POS	MATING SIDE ±0.2	SOLDER SIDE ±0.25	("OAL") REF
01	2X08	5.72	2.54	10.8
02	2X10	5.84	3.05	11.5
04	2X05	5.72	3.05	11.3
05	2X08	5.84	3.42	11.8
06	2X30	5.72	2.54	10.8
07	2X16	5.72	2.54	10.8
08	2X12	5.72	2.54	10.8
09	2X18	5.72	2.54	10.8
10	2X09	5.72	2.54	10.8
11	2X04	5.72	2.54	10.8

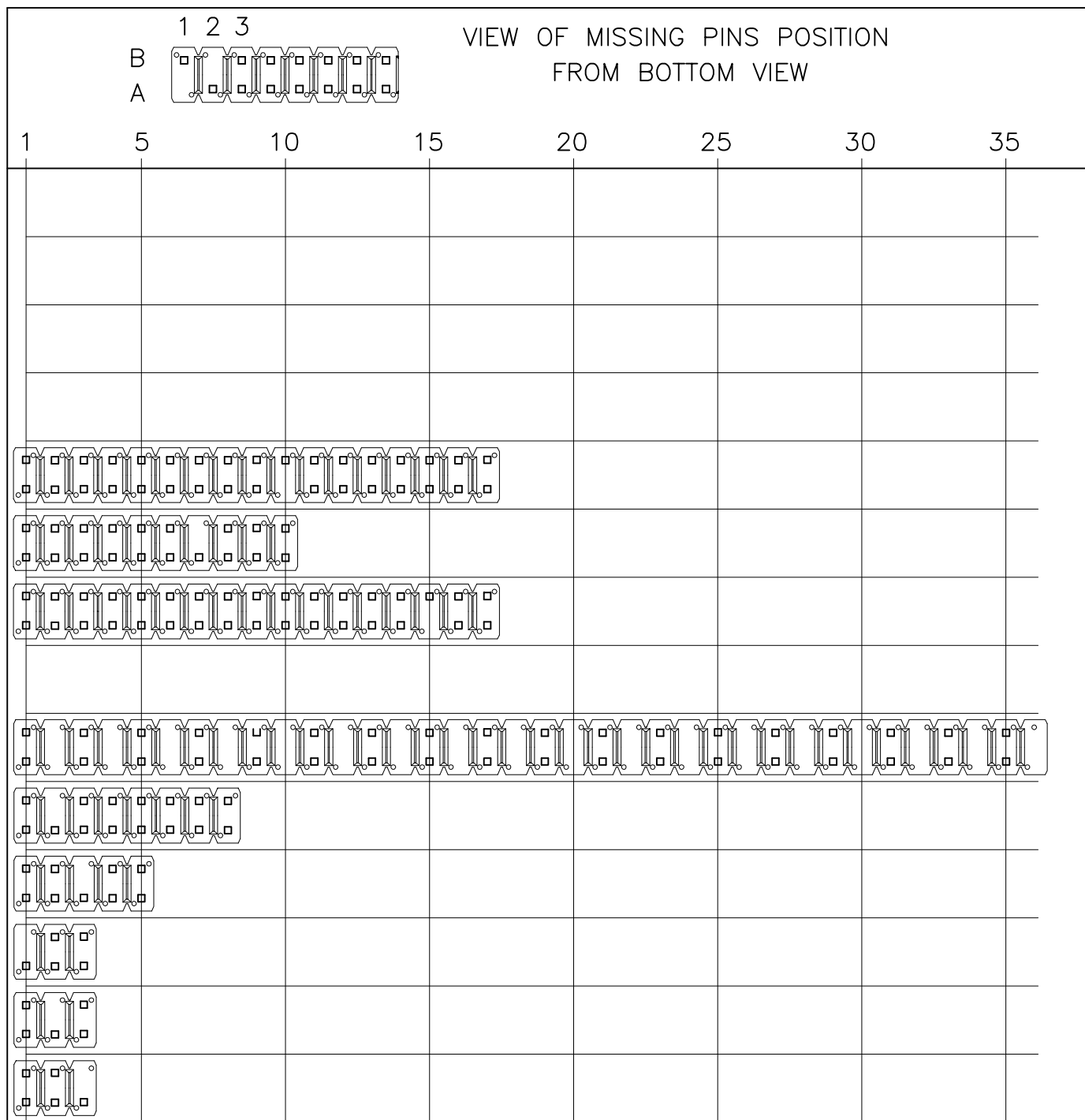


77314-8XXLF	0.38µm Au/GXT	2.0-7.5 Sn MATTE
77314-4XXLF	2.0-7.5 Sn MATTE	
77314-2XXLF	1.27µm Au	2.0-7.5 Sn MATTE
77314-1XXLF	0.76µm Au/GXT	2.0-7.5 Sn MATTE
77314-1XXSLF	0.76µm Au/GXT	GOLD FLASH

77314-8XX	0.38µm Au/GXT	4µm SnPb
77314-4XX	4µm SnPb FULL PLATED	
77314-2XX	1.27µm Au	4µm SnPb
77314-1XX	0.76µm Au/GXT	4µm SnPb
77314-1XXS	0.76µm Au/GXT	GOLD FLASH
PLATING CODE	CONTACT AREA	REMAINDER
	PLATING THICKNESS OVER 1.27µm Ni	

mat'l. code		surface ISO 1302	tolerance ISO 406 ISO 1101	projection	product family BSTIK
ltr	ecn no	dr	date	tolerances unless otherwise specified	title
AH	F06-0196	LMU	06.06.20	angles	HEADER,STR,DR POL DUPLEX 2.54mm
AJ	F08-0148	RTR	08.03.31	linear	
				mm	scale 1:1
AE	F10707	LMU	01.12.03	dr	G LEOTY 91.11.13
AF	F20197	LMU	02.04.16	enr	PHAMVAN JM 95.02.27
AG	F04-0362	JCO	04.12.10	chr	COMPAGNON J 95.02.27
				appd	JMP 95.02.27
sheet index		revision sheet	FCJ		
			dwg no 77314 sheet 2 of - size A3		
			type CUSTOMER Drawing		

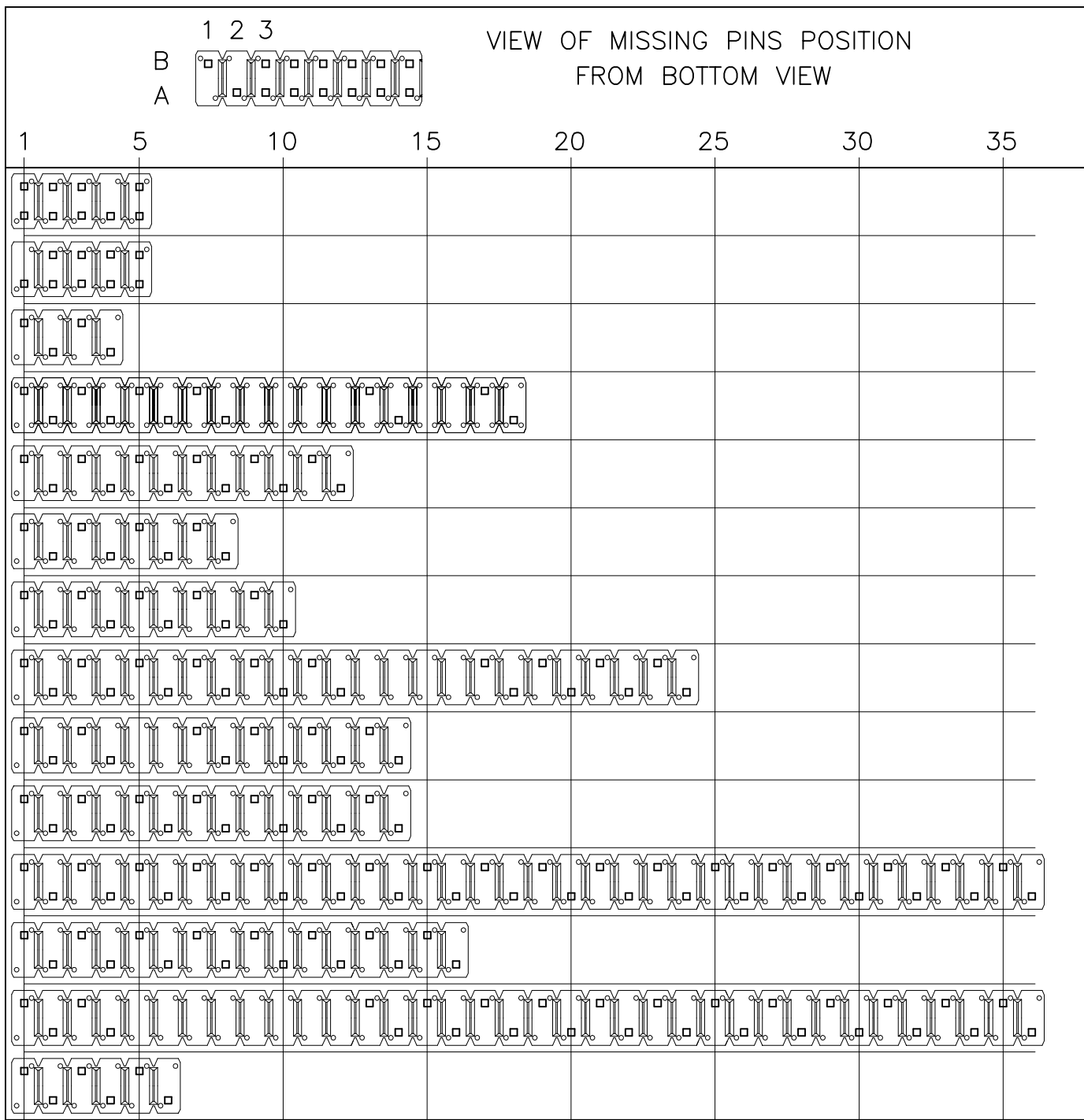
PIN STYLE	PRODUCT DEFINITION			
	POS	MATING SIDE ±0.2	SOLDER SIDE ±0.25	("OAL") REF
13				
14				
15				
16				
17	2X17	5.72	3.42	10.8
18	2X10	5.72	2.54	10.8
19	2X17	5.72	2.54	10.8
20				
21	2X36	5.72	2.54	10.8
22	2X08	5.72	2.54	10.8
23	2X05	5.72	2.54	10.8
24	2X03	5.72	2.54	10.8
25	2X03	5.72	2.54	10.8
26	2X03	5.72	2.54	10.8



Copyright FCI

mat'l. code		surface ISO 1302 <input checked="" type="checkbox"/> ISO 406 <input type="checkbox"/> ISO 1101		tolerance tolerances unless otherwise specified		projection 		product family BERGSTIK	
ltr	ecn no	dr	date	angles	linear	mm 		title HEADER, STR, DR POL DUPLEX 2.54mm	
AB	F40235	JMC	94.02.25			scale 1:1		sheet 3 of - size	
AC	F30323	JMC	95.02.27					77314 A3	
AD	F10707	LMU	01.12.03					type CUSTOMER Drawing	
AE	F20197	LMU	02.04.16	dr	G LEOTY			91.11.13	
AF	F06-0196	LMU	06.06.20	enr	PHAMVAN JM	95.02.27			
				chr	COMPAGNON J	95.02.27			
				appd	JMP	95.02.27			
sheet index	revision sheet								

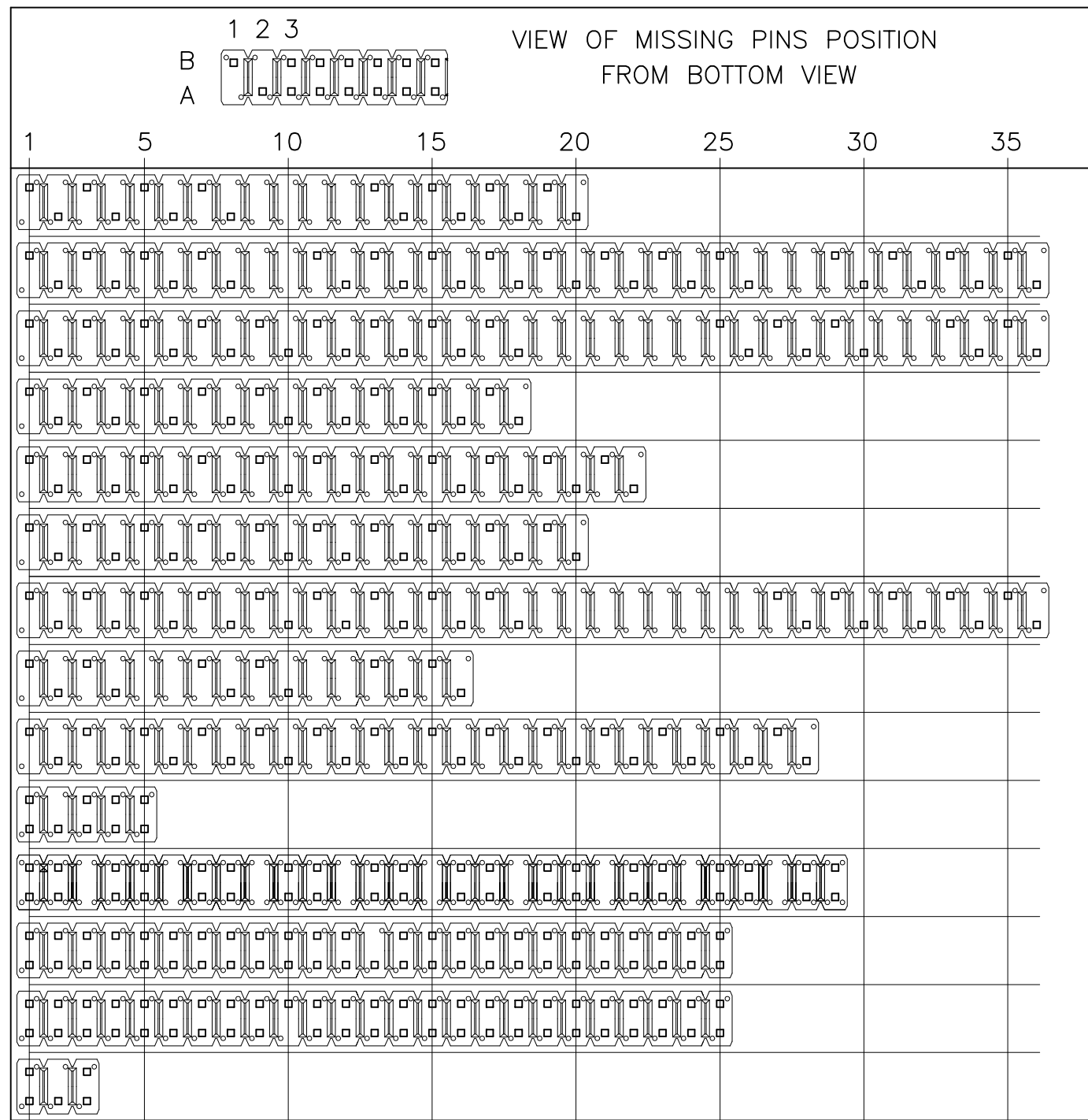
PIN STYLE	PRODUCT DEFINITION			
	POS	MATING SIDE ±0.2	SOLDER SIDE ±0.25	("OAL") REF
27	2X05	5.72	2.54	10.8
28	2X05	5.72	2.54	10.8
29	2X04	12.7	5.72	20.96
30	2X18	12.7	5.72	20.96
31	2X12	12.7	5.72	20.96
32	2X08	12.7	5.72	20.96
33	2X10	12.7	5.72	20.96
34	2X24	12.7	5.72	20.96
35	2X14	12.7	5.72	20.96
36	2X14	12.7	5.72	20.96
37	2X36	12.7	5.72	20.96
38	2X16	12.7	5.72	20.96
39	2X36	12.7	5.72	20.96
40	2X06	12.7	5.72	20.96



Copyright FCI

mat'l. code		surface ISO 1302 <input checked="" type="checkbox"/> ISO 406 <input type="checkbox"/> ISO 1101 <input type="checkbox"/>		tolerance ISO 406 ISO 1101		projection 		product family BSTIK	
ltr	ecn no	dr	date	tolerances unless otherwise specified		mm 		title HEADER, STR, DR POL DUPLEX 2.54mm	
AB	F40235	JMC	94.02.25	angles		linear		scale 1:1	
AC	F30323	JMC	95.02.27	linear		linear		sheet 4 of -	
AD	F10707	LMU	01.12.03	dr		G LEOTY 91.11.13		dwg no	
AE	F20197	LMU	02.04.16	engr		PHAMVAN JM 95.02.27		77314	
AF	F06-0196	LMU	06.06.20	chr		COMPAGNON J 95.02.27		A3	
				appd		JMP 95.02.27		type CUSTOMER Drawing	
sheet index	revision sheet								

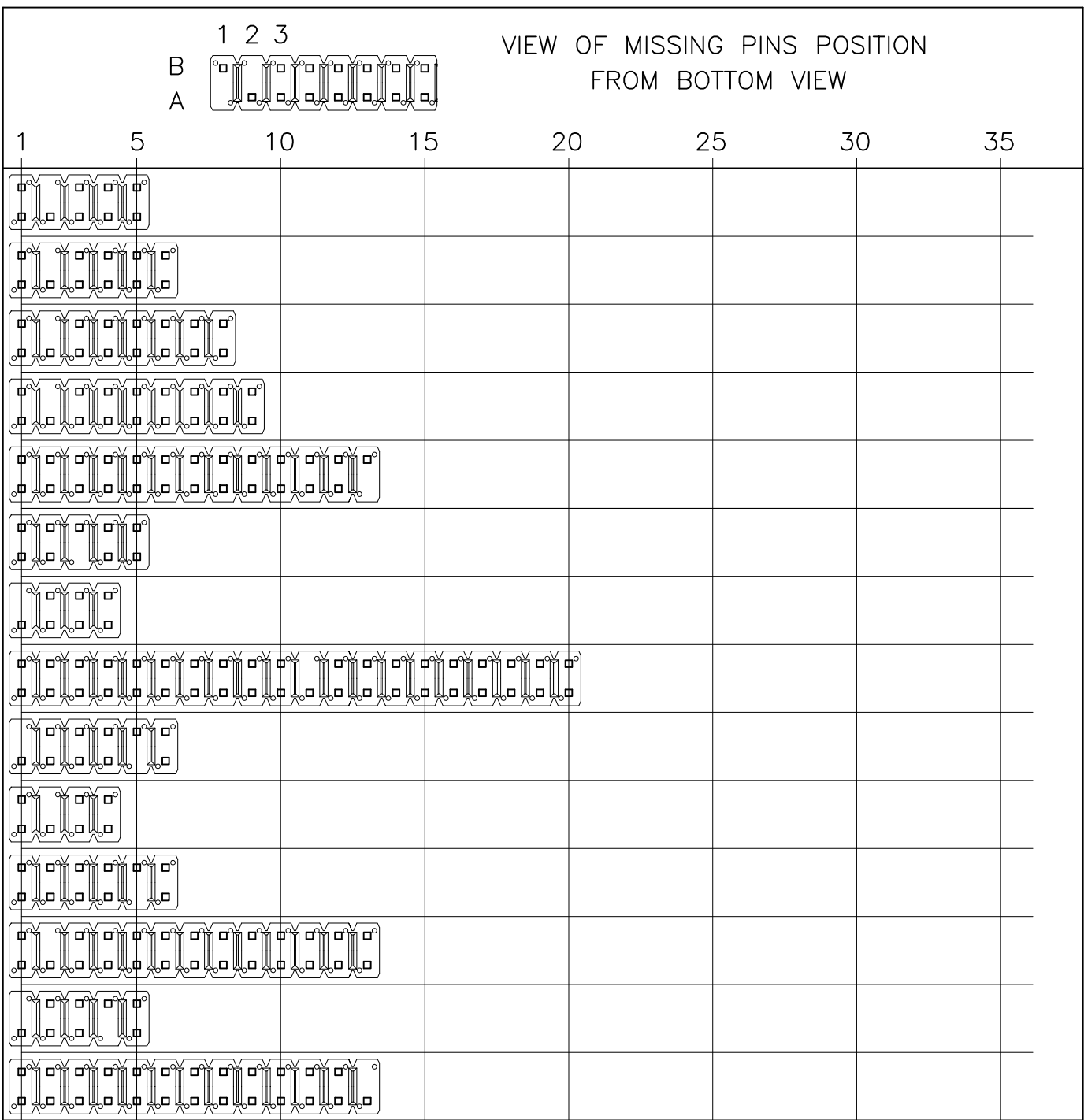
PIN STYLE	PRODUCT DEFINITION			
	POS	MATING SIDE ±0.2	SOLDER SIDE ±0.25	("OAL") REF
41	2X20	12.7	5.72	20.96
42	2X36	12.7	5.72	20.96
43	2X36	12.7	5.72	20.96
44	2X18	12.7	5.72	20.96
45	2X22	12.7	5.72	20.96
46	2X20	12.7	5.72	20.96
47	2X36	12.7	5.72	20.96
48	2X16	12.7	5.72	20.96
49	2X28	12.7	5.72	20.96
50	2X05	5.72	2.54	10.8
51	2X29	5.84	3.42	11.8
52	2X25	5.72	2.54	10.8
53	2X25	12.83	3.03	18.4
54	2X03	5.84	3.42	11.8



Copyright FCI

mat'l. code				surface ISO 1302 <input checked="" type="checkbox"/> ISO 406 ISO 1101		tolerance ISO 406 ISO 1101		projection 		product family BSTIK	
ltr	ecn no	dr	date	tolerances unless otherwise specified		mm		title HEADER,STR,DR POL DUPLEX 2.54mm		sheet 5 of - size	
AB	F40235	JMC	94.02.25	angles		linear		scale 1:1		77314 A3	
AC	F30323	JMC	95.02.27	dr		G LEOTY 91.11.13		FCI		type CUSTOMER Drawing	
AD	F10707	LMU	01.12.03	engr		PHAMVAN JM 95.02.27					
AE	F20197	LMU	02.04.16	chr		COMPAGNON J 95.02.27					
AF	F06-0196	LMU	06.06.20	appd		JMP 95.02.27					
sheet index	revision sheet										

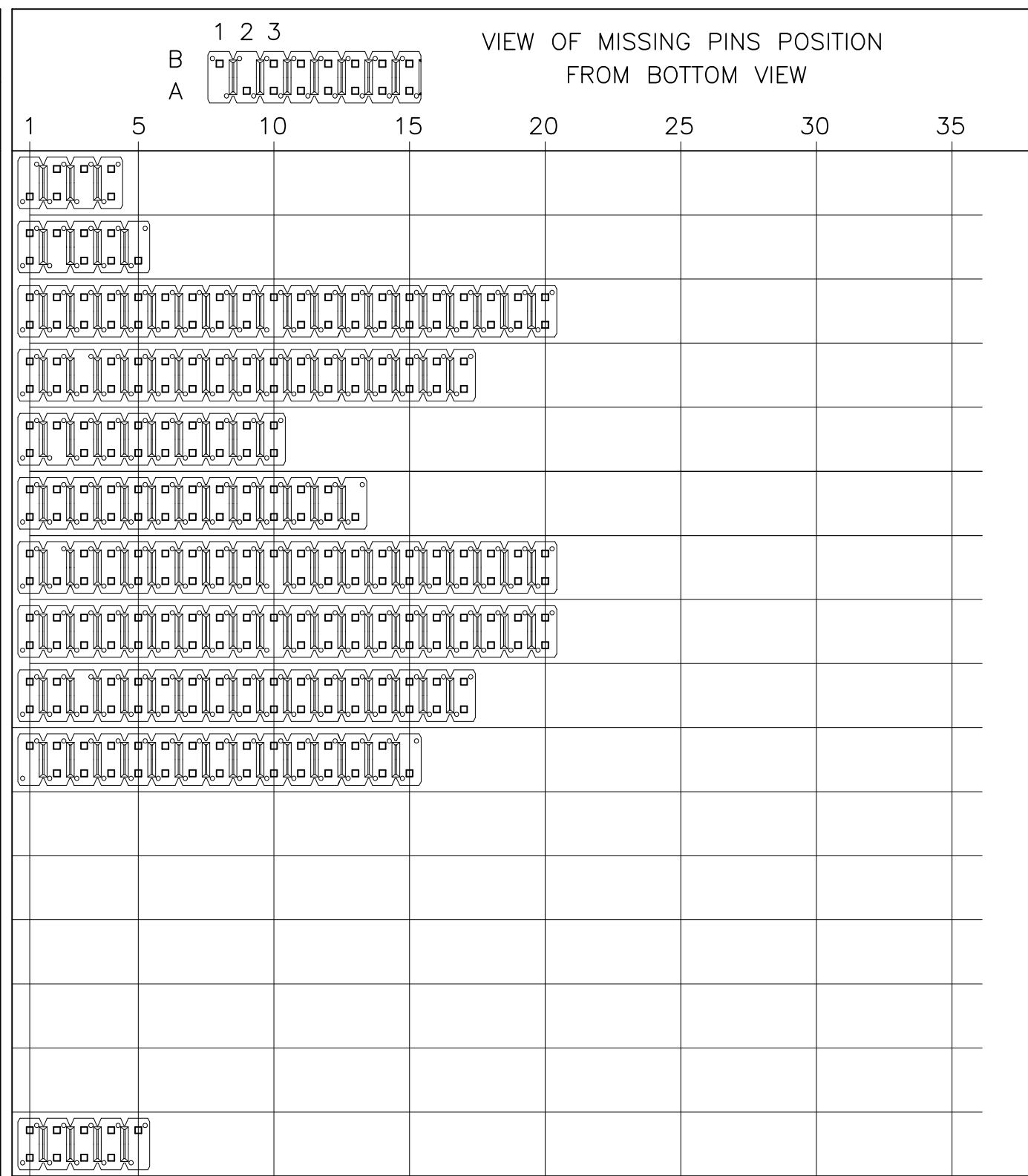
PIN STYLE	PRODUCT DEFINITION			
	POS	MATING SIDE ±0.2	SOLDER SIDE ±0.25	("OAL") REF
55	2X05	5.84	3.42	11.8
56	2X06	5.84	3.42	11.8
57	2X08	5.84	3.42	11.8
58	2X09	5.84	3.42	11.8
59	2X13	5.84	3.42	11.8
60	2X05	5.84	3.42	11.8
61	2X04	5.72	2.54	10.8
62	2X20	5.72	2.54	10.8
63	2X06	5.72	2.54	10.8
64	2X04	5.84	3.42	11.8
65	2X06	5.72	2.72	10.8
66	2X13	5.84	3.12	11.5
67	2X05	5.72	2.54	10.8
68	2X13	5.84	3.42	11.8



Copyright FCI

mat'l. code		surface ISO 1302 <input checked="" type="checkbox"/> ISO 406 <input type="checkbox"/> ISO 1101		tolerance tolerances unless otherwise specified		projection 		product family BSTIK	
ltr	ecn no	dr	date	angles	linear	mm 		title HEADER, STR, DR POL DUPLEX 2.54mm	
AB	F40235	JMC	94.02.25			scale 1:1		dwg no 77314	
AC	F30323	JMC	95.02.27					sheet 6 of - size A3	
AD	F70430	JMC	97.06.02					type CUSTOMER Drawing	
AE	F00100	LMU	00.01.11	dr	G LEOTY	91.11.13			
AF	F10707	LMU	01.12.03	enr	PHAMVAN JM	95.02.27			
AG	F20197	LMU	02.04.16	chr	COMPAGNON J	95.02.27			
AH	F06-0196	LMU	06.06.20	appd	JMP	95.02.27			
sheet index	revision sheet								

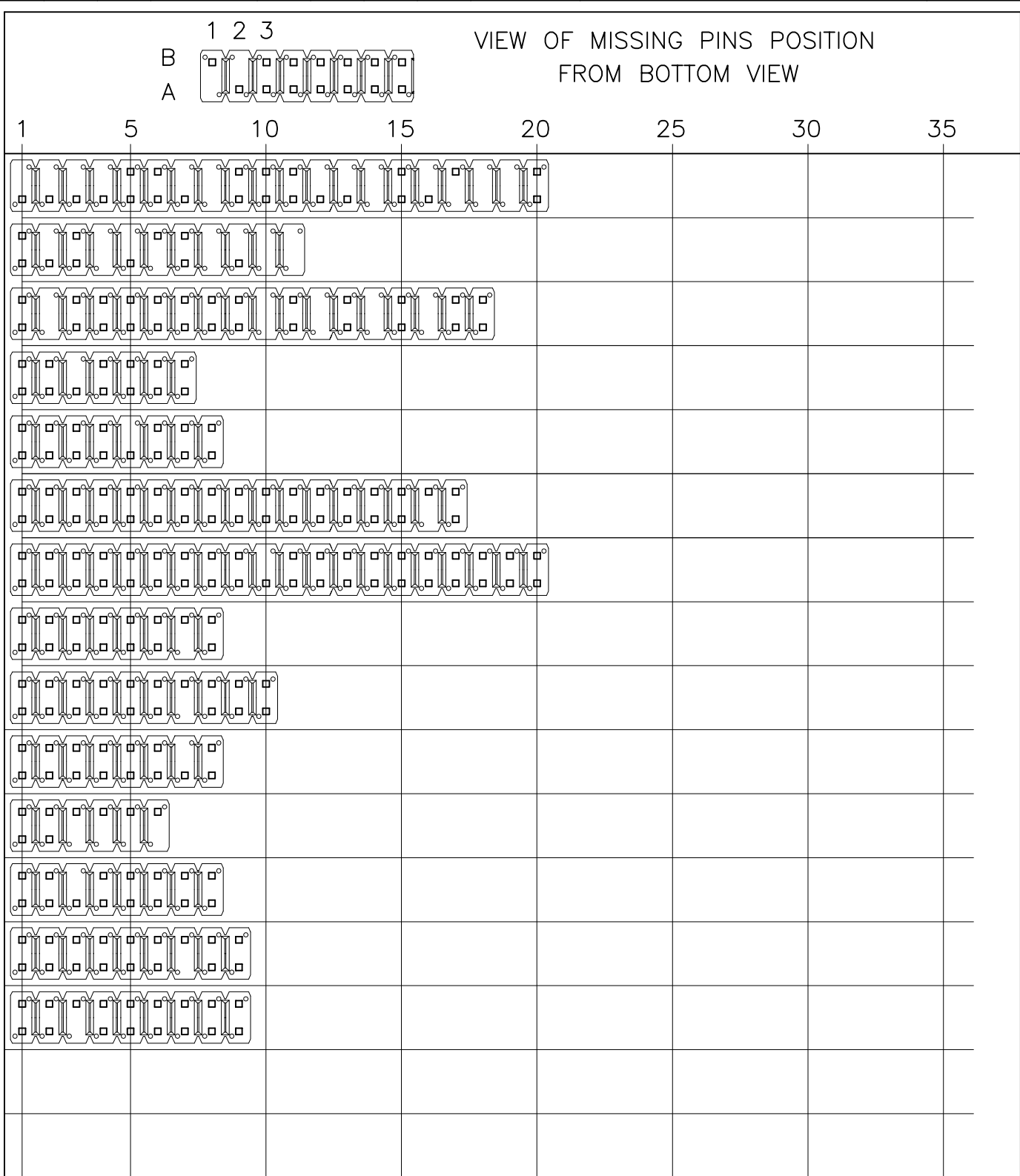
PIN STYLE	PRODUCT DEFINITION			
	POS	MATING SIDE ±0.2	SOLDER SIDE ±0.25	("OAL") REF
69	2X04	5.72	2.54	10.8
70	2X05	5.72	2.54	10.8
71	2X20	5.72	3.05	11.3
72	2X17	5.72	3.05	11.3
73	2X10	5.72	3.05	11.3
74	2X13	5.72	3.05	11.3
75	2X20	5.72	3.05	11.3
76	2X20	5.72	3.05	11.3
77	2X17	5.72	3.05	11.3
78	2X15	5.84	3.42	11.8
79				
80				
81				
82				
83				
84	2X05	5.72	3.05	11.3



Copyright FCI

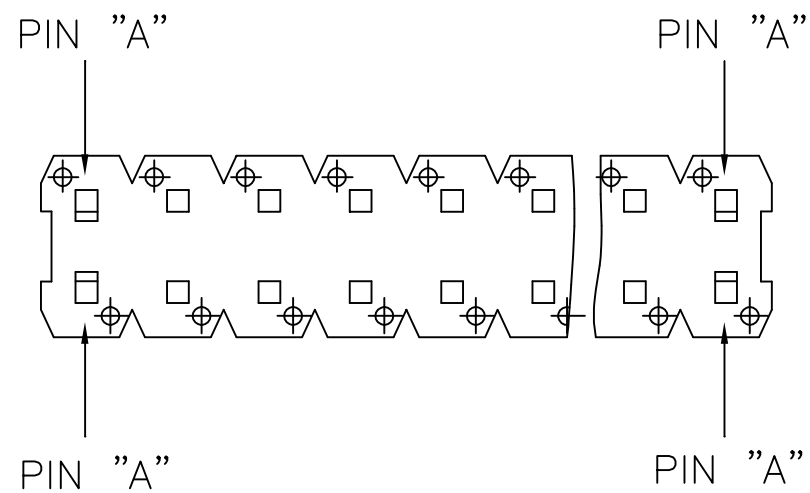
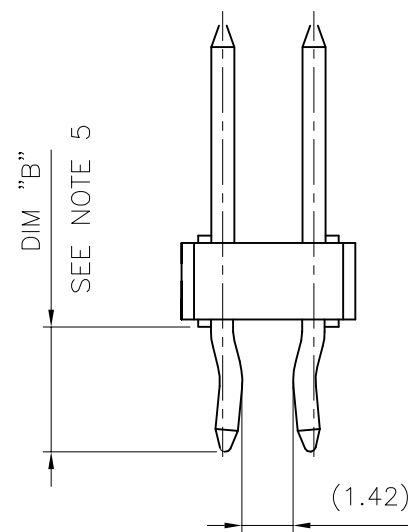
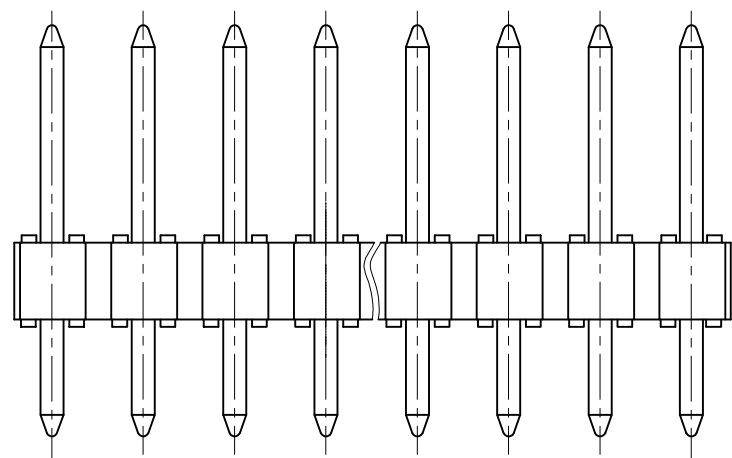
mat'l. code		surface ISO 1302 <input checked="" type="checkbox"/> ISO 406 <input type="checkbox"/> ISO 1101		tolerance tolerances unless otherwise specified		projection 		product family BSTIK	
ltr	ecn no	dr	date	angles linear		mm scale 1:1		title HEADER, STR, DR POL DUPLEX 2.54mm	
AJ	F06-0196	LMU	06.06.20					dwg no 77314	
AD	F50246	JMC	95.04.03	dr G LEOTY 91.11.13				sheet 7 of - size A3	
AE	F50625	JMC	95.08.26	engr COMPAGNON J 95.12.05				type CUSTOMER Drawing	
AF	F50916	JMC	95.12.05	chr					
AG	F10707	LMU	01.12.03	appd JMC 95.12.05					
AH	F20197	LMU	02.04.16						
sheet index	revision sheet								

PIN STYLE	PRODUCT DEFINITION			
	POS	MATING SIDE ±0.2	SOLDER SIDE ±0.25	("OAL") REF
85	2X20	5.72	2.54	10.8
86	2X11	5.72	2.54	10.8
87	2X18	5.72	3.05	11.3
88	2X07	5.72	3.05	11.3
89	2X08	5.72	3.05	11.3
90	2X17	6.6	2.66	11.82
91	2X20	6.75	2.90	12.2
92	2X08	5.72	3.05	11.3
93	2X10	5.72	2.54	10.8
94	2X08	5.84	3.05	11.5
95	2X06	5.70	2.93	11.17
96	2X08	8.06	3.00	13.60
97	2X09	5.84	3.05	11.50
98	2X09	5.84	3.05	11.50



Copyright FCI

mat'l. code		surface ISO 1302 <input checked="" type="checkbox"/> ISO 406 ISO 1101		tolerance tolerances unless otherwise specified		projection 		product family BSTIK	
ltr	ecn no	dr	date	angles linear		mm 		title HEADER,STR,DR POL DUPLEX 2.54mm	
R	F20197	LMU	02.04.16			scale N/A		dwg no 77314	
S	F03-0298	LMU	03.10.28					sheet 8 of A3	
T	F04-0137	LMU	04.02.12					type CUSTOMER Drawing	
U	F06-0117	LMU	06.01.30	dr	O. MATHEVON	96.08.28			
V	F06-0196	LMU	06.06.20	enr	J COMPAGNON	96.08.28			
P	F20113	LMU	02.01.14	chr	J COMPAGNON	96.08.28			
				appd	JMC	96.08.28			
sheet index	revision sheet								



NOTES:

- 1 - PART NUMBER 77314-YXX
- 2 - PINS "A" AND "B" USED FOR RETENTION.
- 3 - DIRECTION OF RETENTION SHOWN BY ARROWS.
- 4 - KINKED LEGS LOCATION CAN BE MOVED IF A PIN IS MISSING.
- 5 - RETENTION VERSION ONLY AVAILABLE WHEN DIM "B" IS BETWEEN 3 AND 3.5mm.
- 6 - 2 AND 3 POSN KINKED HEADER ARE NOT AVAILABLE.

"R" INDICATES A RETENTION HEADER.
 "T" INDICATES HEADERS PACKED IN TUBES

mat'l. code				surface ISO 1302		tolerance ISO 406 ISO 1101		projection mm		product family BSTIK			
ltr				ecn no		dr		date		tolerances unless otherwise specified		title	
A				F60608		OMA		96.08.28		angles		HEADER,STR,DR	
B				F60761		JMC		96.10.24		linear		POL DUPLEX 2.54mm	
C				F10707		LMU		01.12.03		scale N/A		sheet 9 of	
D				F06-0196		LMU		06.06.20		dr		J COMPAGNON 95.08.26	
										engr		JMC 95.08.26	
										chr			
										appd		JMC 95.08.26	
sheet index		revision sheet										dwg no 77314	
												sheet 9 of A3	
												type CUSTOMER Drawing	



Copyright FCI